

**VILLAGE OF NORTHBROOK
Development & Planning Services**

1225 Cedar Lane
Northbrook, Illinois 60062
847 664-4050 FAX: 847 272-5068
www.northbrook.il.us

B14 – Non Residential Back-up Generator

Address: _____

Date Stamp

For the installation of a generator, see below for permit submittal requirements.

Application Requirements:

- Permit Application Deposit of \$60
- Form 1.2 - Electrical Application
- Form 1.2a – Back-up Generator Worksheet
- One-line Diagram

Drawing Requirements: (to be submitted with permit application)

- Generator Specifications from the Manufacturer 2 copies
- Plat of Survey 2 copies (Must indicate location of generator with dimensions to the property lines; Survey must be sealed and be “to scale”)



FORM 1.2

Permit #: _____
Fee: _____

VILLAGE OF NORTHBROOK
Development & Planning Services
1225 Cedar Lane
Northbrook, Illinois 60062
847 664-4050 FAX: 847 272-5068
www.northbrook.il.us

Electrical Application

Property Address _____

Owner _____

E-Mail Address _____ Phone _____ Fax _____

IMPORTANT – ELECTRICIANS MUST HAVE A VALID VILLAGE CONTRACTOR’S LICENSE

Electrical Contractor _____

Address _____

E-Mail Address _____ Phone _____ Fax _____

Primary Contact * _____

E-Mail Address _____ Phone _____ Fax _____

* All plan review correspondence shall be sent to the Primary Contact via email. The Primary contact will also be notified once the permit has been approved and is ready for issuance (pick-up).

Description of Work (example: service panel upgrade, install new wiring, install new receptacles/outlets, etc.):

● **Circuits** Not Applicable

Number of circuits _____ Number of Panel Circuits _____

● **Electrical Service Information** Not Applicable

Existing:

Location: underground overhead
Size: 100 200 300 400 other ____ amp

Proposed:

Location: underground overhead
Size: 100 200 300 400 other ____ amp

Scheduling of Inspections:

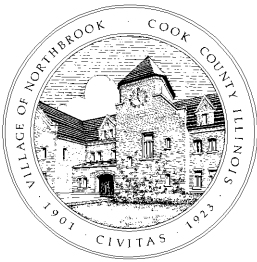
Please contact the Permit Coordinators at **847-664-4050** in order to schedule necessary inspections.

If you have electrical related questions, please contact Electrical Inspector, Corey Friedman at **847-664-4061**.

Office Use:

Comments: _____

Reviewer: _____ Approval Date: _____



Back-Up Generator Worksheet

Please provide the necessary information in the spaces below:

ELECTRICAL

Generator Size KW	Size of Main Breaker on Generator	Size of Breaker for Feeder to ATS	Feeder Wire Size: Panel to ATS	Feeder Wire Size: ATS to Generator	Equipment Grounding Conductor Size

GAS PIPING (steel pipe not permitted to be buried, plastic not permitted above grade or in the house)

Total Gas Pipe Distance	Gas Pipe Size	Gas Pipe Type (sched. 40 black or PE plastic)	Generator Cu Ft or BTU	Gas Pipe Cu Ft. or Btu Max.

GENERATOR

Brand	db Levels Run / Test	Clearance to: Building / Intakes / Openings

INSPECTION REQUIREMENTS

- Underground plastic piping must have appropriate tracer wire and anode less risers at both ends.
- All applicable codes to be followed including: NEC 2011, IFGC 2006, IRC 2006, IBC 2006, NFPA 54
- Required Inspections:
 1. Underground (trench) gas and electrical piping require inspection when longer than 5 feet in the ground.
 - EGC are required to be green (cannot be re-identified with tape) for #14,12,10,8,6.
 - Neutral conductors are require to be white (cannot be re-identified with tape) for #14,12,10,8,6.
 2. Final Inspection – **The Electrician is to be present at Final Inspection.**

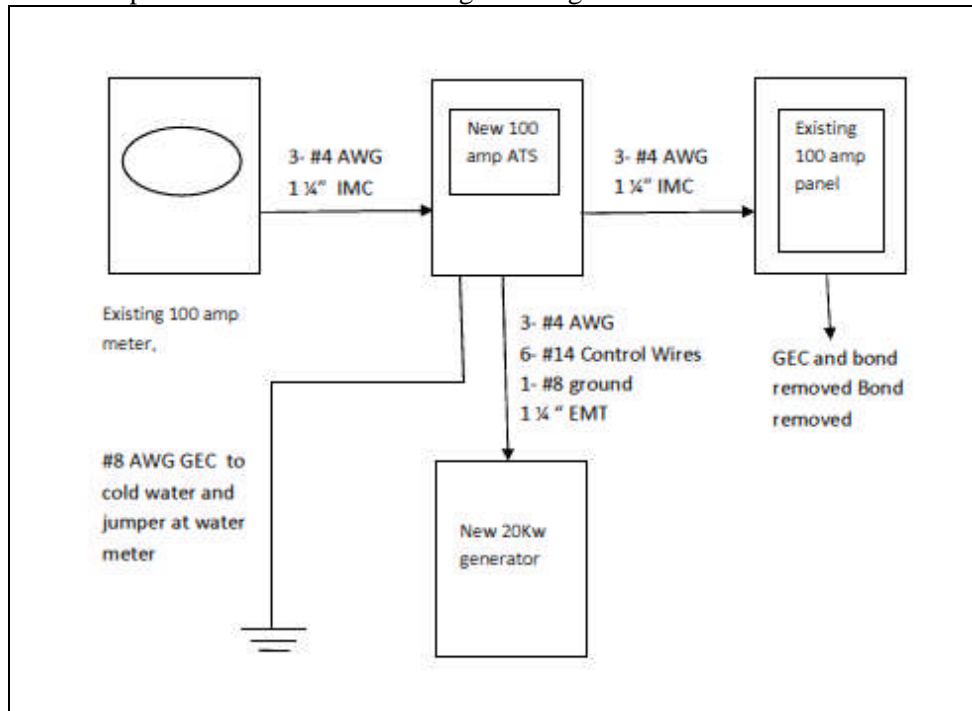


VILLAGE OF NORTHBROOK
Development and Planning Services

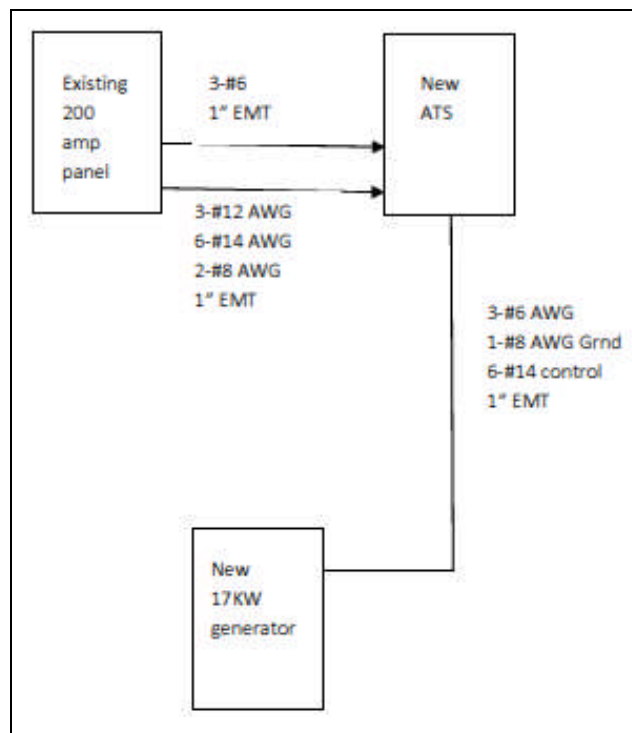
1225 Cedar Lane
Northbrook, Illinois 60062
847 664-4050 FAX: 847 272-5068
www.northbrook.il.us

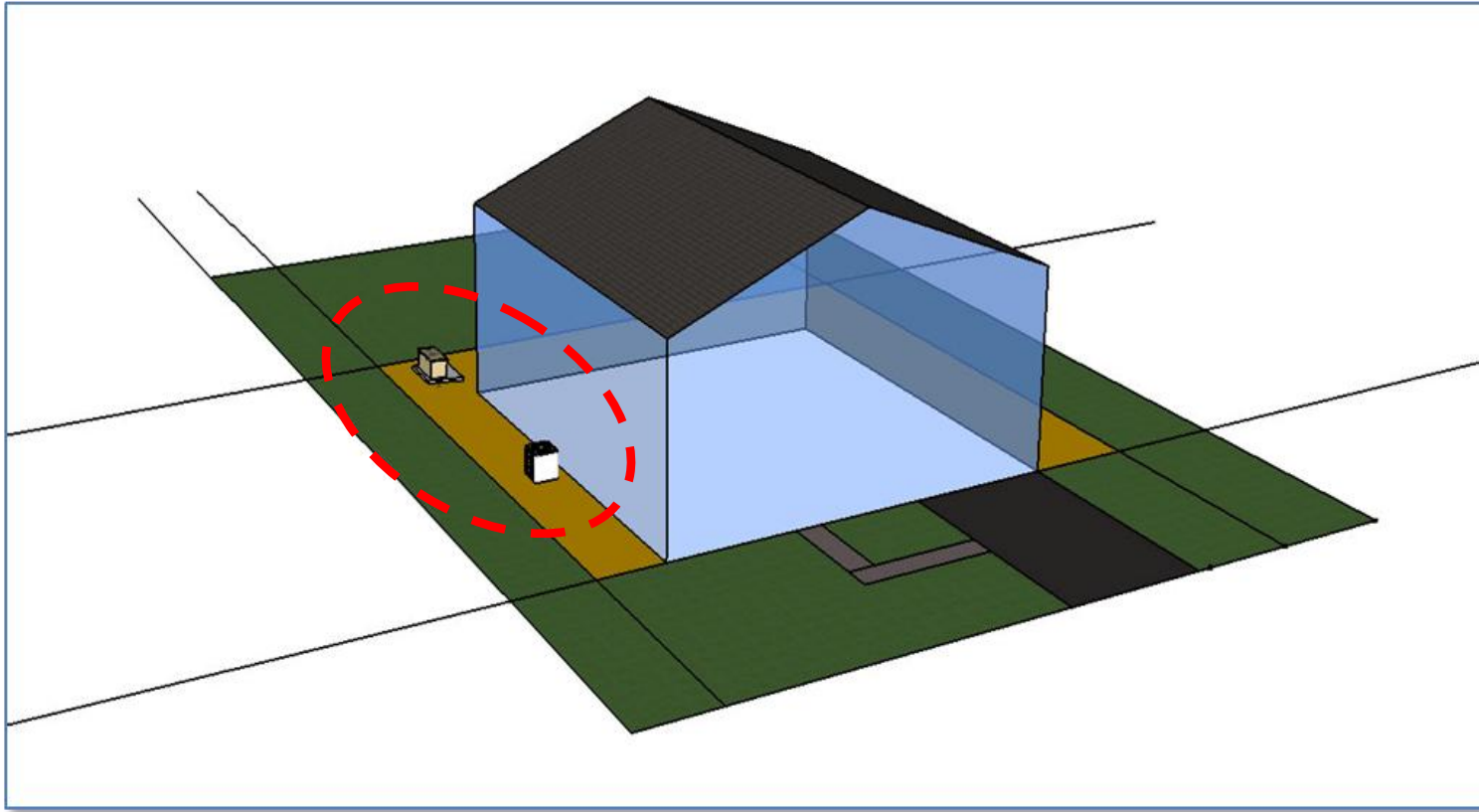
Sample One-Line Diagram (Back-Up Generator)

Example of electrical one-line diagram for generator with whole house ATS:



Example of electrical one-line diagram for generator with limited branch circuits:





Plan ahead!

Air conditioning units and standby generators cannot be located in any required yard.

YARD REQUIREMENTS	R-1	R-2	R-3	R-4	R-5
1. <u>Front & Corner Side Yard</u> (feet)	60	40	35	30	25
2. <u>Interior Lots</u>	40	12	10	9	6
3. <u>Rear Yard</u> (feet)	40	40	40	40	40