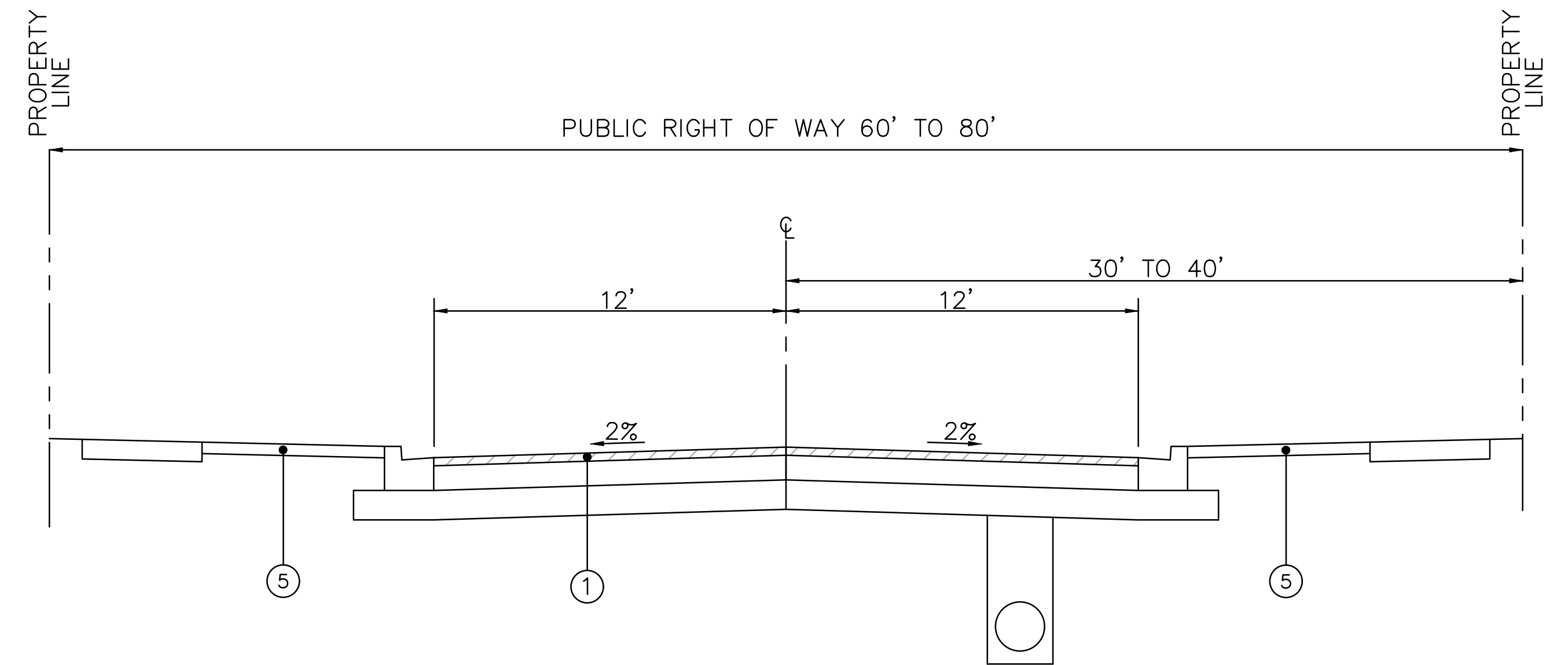
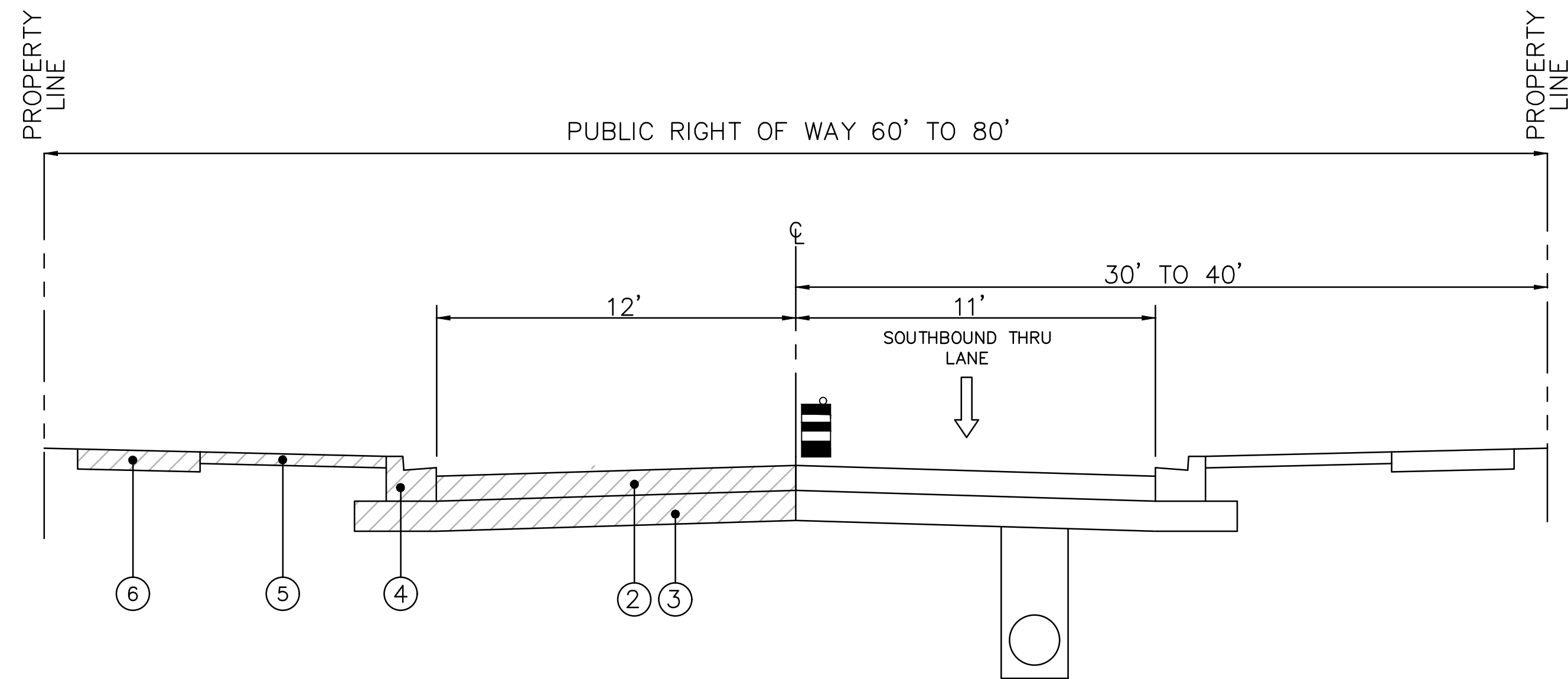


WESTERN AVENUE – STAGE 1, 2 & 3 TYPICAL SECTION
(EAST SIDE CONSTRUCTION)
N.T.S.



WESTERN AVENUE – STAGE 4 TYPICAL SECTION
(WEST SIDE CONSTRUCTION)
N.T.S.



WESTERN AVENUE – STAGE 2 & 3 TYPICAL SECTION
(WEST SIDE CONSTRUCTION)
N.T.S.

NOTES:

1. A STOP BAR AND TEMPORARY STOP SIGN SHALL BE PLACED FOR THE SOUTHBOUND TRAFFIC OF WESTERN AVENUE ON THE BINDER COURSE JUST NORTH OF FARNSWORTH LANE. A STOP BAR SHALL BE PLACED JUST NORTH OF TECHNY ROAD.

PROPOSED

- ① HMA SURFACE COURSE, 2"
- ② HMA BINDER COURSE, 7"
- ③ SUB-BASE GRANULAR MATERIAL TYPE B, 8"
- ④ COMB. CONC. C&G TY. B-6.12
- ⑤ TOPSOIL, 6" & SOD
- ⑥ P.C.C. SIDEWALK WITH AGGREGATE BASE

REVISIONS:		DATE	BY	DESCRIPTION	DATE	BY	DESCRIPTION
02/22/18	EW			REVISED PER ADDENDUM NO. 1			

DRAWN BY: RT
CHECKED BY: PK
APPROVED BY: BD



35701 WEST AVENUE, SUITE 150
WARRENVILLE, ILLINOIS 60555
PHONE (630) 393-3060
FAX (630) 393-2152

10 S. RIVERSIDE PLAZA, SUITE 875
CHICAGO, ILLINOIS 60606
PHONE (312) 474-7841
FAX (312) 474-6099

2416 GALEN DRIVE
CHAMPAIGN, ILLINOIS 61821
PHONE (217) 351-6268
FAX (217) 355-1902

**WESTERN AVE. ROADWAY RECONSTRUCTION
AND WATER MAIN IMPROVEMENT PROJECT
VILLAGE OF NORTHBROOK, ILLINOIS**

TITLE:

**MAINTENANCE OF TRAFFIC
TYPICAL SECTIONS**

SCALE: N.T.S.
DATE: February, 2018
JOB NO: 161002
SHEET 33A of 64

CONSTRUCTION STAGING

THE FOLLOWING IS THE CONSTRUCTION STAGING FOR THIS PROJECT. THE PURPOSE OF THIS STAGING IS TO MINIMIZE DELAYS TO THE MOTORIST. THE CONTRACTOR MAY ALTER THE SEQUENCE OF CONSTRUCTION WITH THE PRIOR APPROVAL OF THE ENGINEER.

STAGE 1 CONSTRUCTION ACTIVITIES: (STARTS 04/02/18)

1. PLACE ALL CONSTRUCTION SIGNS AND BARRICADES.
2. CONSTRUCT WATER MAIN AND STORM SEWER.

STAGE 2 CONSTRUCTION ACTIVITIES: (06/11/18 TO 08/10/18)

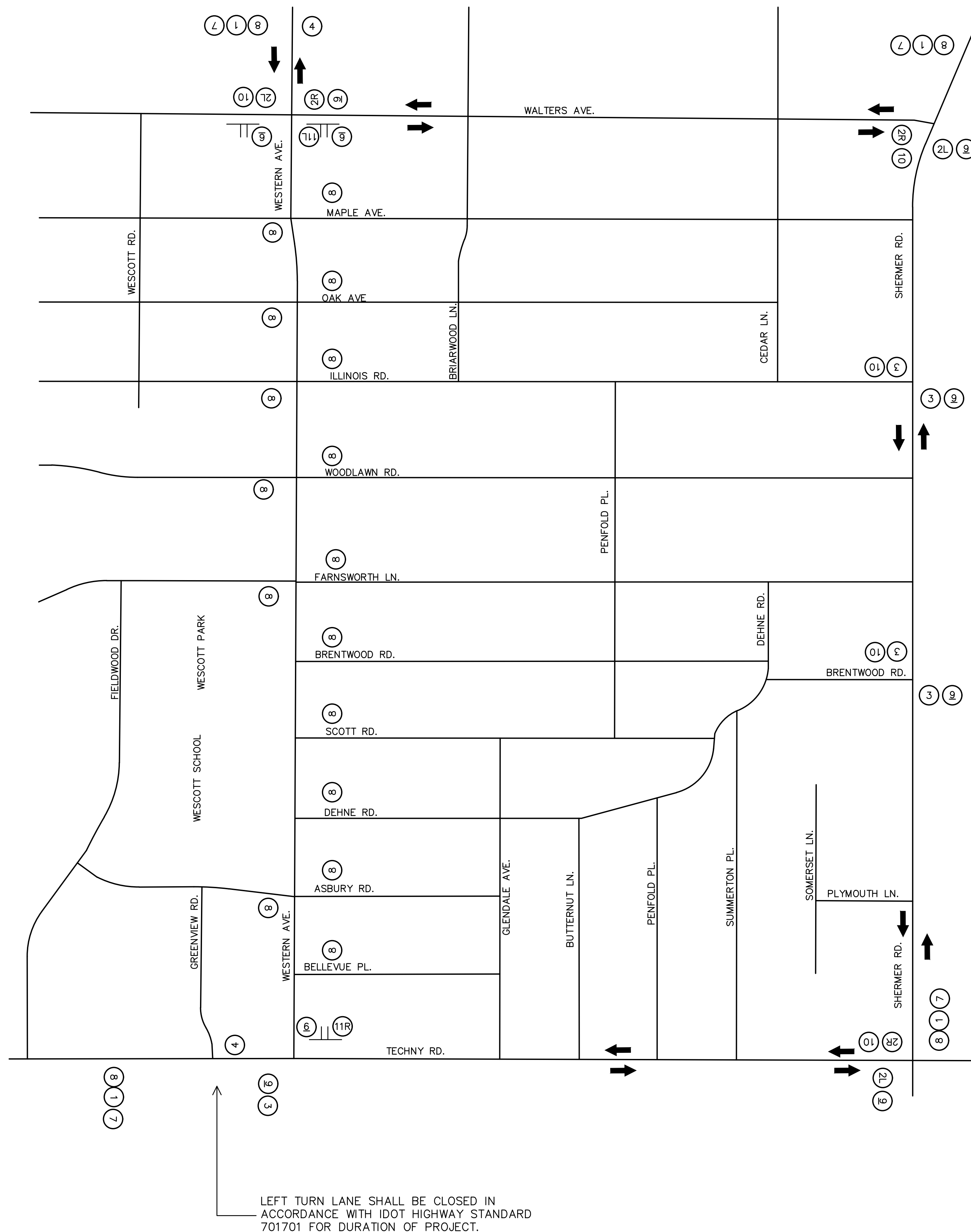
1. ROADWAY RECONSTRUCTION UP TO BINDER COURSE FROM FARNSWORTH LANE TO ASBURY ROAD.

STAGE 3 CONSTRUCTION ACTIVITIES: (06/11/18 TO 09/28/18)

1. ROADWAY RECONSTRUCTION UP TO BINDER COURSE FROM OAK AVENUE TO FARNSWORTH LANE AND FROM ASBURY ROAD TO TECHNY ROAD.

STAGE 4 CONSTRUCTION ACTIVITIES:

1. PLACE ROADWAY SURFACE COURSE FROM OAK AVENUE TO TECHNY ROAD. SURFACE COURSE WILL NEED TO BE PAVED ON A SATURDAY TO AVOID CONFLICTS WITH THE SCHOOL. IT MAY BE POSSIBLE TO PAVE ON A SCHOOL HOLIDAY; HOWEVER, SPECIFIC DATES CANNOT BE GUARANTEED AT THIS TIME.
2. PLACE FINAL PAVEMENT MARKING AND INSTALL SIGNING.
3. RESTORE PARKWAY.
4. REMOVE TEMPORARY TRAFFIC CONTROL ITEMS.



SIGN LEGEND

TYPE III BARRICADE WITH FLASHERS AS MANY AS DIRECTED BY ENGINEER

- 1. W20-2 (48"x 48") B/O
- 2. B/O M4-9 30"x24"
- 3. B/O M4-9 30"x24"
- 4. B/W M4-8a 24"x18"
- 5. B/W 30"x24"
- 6. R11-2 (48"x 30") B/W
- 7. W20-3 (48"x 48") B/O
- 8. W20-1 (48"x 48") B/O AS DIRECTED BY ENGINEER
- 9. B/W 30"x12"
- 10. B/W 30"x12"
- 11. B/O M4-10 48"x18"

MAINTENANCE OF TRAFFIC GENERAL NOTES

1. MULTIPLE SIGNS AT ANY ONE LOCATION SHALL BE MOUNTED ON A COMMON POST OR STRUCTURE WHEN POSSIBLE. SIGNS MAY BE MOUNTED ON STREET LIGHT STANDARDS WHERE AVAILABLE.
2. ALL DETOUR SIGNS SHALL BE MOUNTED A MINIMUM OF 7 FEET ABOVE THE EXISTING SURFACE.
3. B/O = BLACK LEGEND ON ORANGE BACKGROUND
B/W = BLACK LEGEND ON WHITE BACKGROUND
4. SIGN SPACING MAY BE ADJUSTED TO SUIT FIELD CONDITIONS.
5. L/R INDICATES LEFT OR RIGHT.
6. WHEN DIRECTED BY THE ENGINEER, THE CONTRACTOR SHALL CONSTRUCT TEMPORARY AGGREGATE CROSSINGS ACROSS UTILITY TRENCHES AND DRIVEWAY APRONS FOR ACCESS BY LOCAL RESIDENTS AND EMERGENCY VEHICLES. (TEMPORARY AGGREGATE)
7. ALL STREETS CROSSING THE CONSTRUCTION ZONE SHALL BE BARRICADED IN ACCORDANCE WITH STANDARD 2298.
8. SOUTH BOUND TRAFFIC SHALL BE OPEN AT ALL TIMES ALONG WESTERN AVE. DURING STAGE 1.
9. ALL ENTRANCES TO PROJECT NEED TYPE III BARRICADE W/ LOCAL TRAFFIC ONLY & ROAD CLOSED TO THROUGH TRAFFIC.
10. SIGNS NOT IN USE TO BE DROPPED OR BAGGED.
11. MAJOR DRIVEWAY ENTRANCES SHALL HAVE ONE WAY SIGNS INDICATING APPROPRIATE DIRECTION OF TRAFFIC ON STREET FOR EXITING VEHICLES.
12. SIGNAGE SHOWN IS A SUGGESTED MINIMUM. VILLAGE HAS THE RIGHT TO REQUEST ADDITIONAL SIGNAGE WITH NO ADDITIONAL COMPENSATION FOR CONTRACTOR.
13. VILLAGE WILL NOTIFY RESIDENTS BY MAIL PRIOR TO DETOUR.
14. ALL DETOUR SIGNS SHALL REMAIN IN PLACE UNTIL PAVEMENT SURFACE COURSE ON WESTERN AVE. HAS BEEN COMPLETED.
15. "ONE-WAY" AND "DO NOT ENTER" SIGNS SHALL BE PLACED AT INTERSECTIONS AND EACH DRIVEWAY.

CONSTRUCTION STAGING

THE FOLLOWING IS THE CONSTRUCTION STAGING FOR THIS PROJECT. THE PURPOSE OF THIS STAGING IS TO MINIMIZE DELAYS TO THE MOTORIST. THE CONTRACTOR MAY ALTER THE SEQUENCE OF CONSTRUCTION WITH THE PRIOR APPROVAL OF THE ENGINEER.

STAGE 1 CONSTRUCTION ACTIVITIES: (STARTS 04/02/18)

1. PLACE ALL CONSTRUCTION SIGNS AND BARRICADES.
2. CONSTRUCT WATER MAIN AND STORM SEWER.

STAGE 2 CONSTRUCTION ACTIVITIES: (06/11/18 TO 08/10/18)

1. ROADWAY RECONSTRUCTION UP TO BINDER COURSE FROM FARNSWORTH LANE TO ASBURY ROAD.

STAGE 3 CONSTRUCTION ACTIVITIES: (06/11/18 TO 09/28/18)

1. ROADWAY RECONSTRUCTION UP TO BINDER COURSE FROM OAK AVENUE TO FARNSWORTH LANE AND FROM ASBURY ROAD TO TECHNY ROAD.

STAGE 4 CONSTRUCTION ACTIVITIES:

1. PLACE ROADWAY SURFACE COURSE FROM OAK AVENUE TO TECHNY ROAD. SURFACE COURSE WILL NEED TO BE PAVED ON A SATURDAY TO AVOID CONFLICTS WITH THE SCHOOL. IT MAY BE POSSIBLE TO PAVE ON A SCHOOL HOLIDAY; HOWEVER, SPECIFIC DATES CANNOT BE GUARANTEED AT THIS TIME.
2. PLACE FINAL PAVEMENT MARKING AND INSTALL SIGNING.
3. RESTORE PARKWAY.
4. REMOVE TEMPORARY TRAFFIC CONTROL ITEMS.

MAINTENANCE OF TRAFFIC STAGE 1 NOTES:

- WATER AND SEWER
1. NO WORK CAN BE PERFORMED IN THE SOUTHBOUND LANE BETWEEN FARNSWORTH AND ASBURY DURING PICK-UP AND DROP-OFF WINDOWS (8:00AM-8:45AM AND 3:00PM-3:30PM). WORK MAY OCCUR DURING THESE TIMES; HOWEVER, ALL OPERATIONS AND EQUIPMENT MUST BE CONFINED TO THE CLOSED NORTHBOUND LANE.
 2. ONE-WAY SOUTHBOUND TRAFFIC ON WESTERN AVE. SHALL BE MAINTAINED AT ALL TIMES.
 3. AT A MINIMUM, ONE FLAGGER WILL BE REQUIRED, TWICE A DAY DURING SCHOOL DROP-OFF AND PICK-UP TIMES. EACH DAY SCHOOL IS IN SESSION. THIS FLAGGER SHALL BE STATIONED AT FARNSWORTH AVENUE AND SCOTT ROAD TO ASSIST WITH MAINTENANCE OF ONE-WAY SOUTHBOUND TRAFFIC ALONG WESTERN AVENUE WITH STAFF MEMBER FORM SCHOOL.

REVISIONS:					
DATE	BY	DESCRIPTION	DATE	BY	DESCRIPTION

DRAWN BY: RT
 CHECKED BY: PK
 APPROVED BY: BD

ENGINEERING RESOURCE ASSOCIATES
 35701 WEST AVENUE, SUITE 150
 WARRENVILLE, ILLINOIS 60555
 PHONE (630) 393-3060
 FAX (630) 393-2152

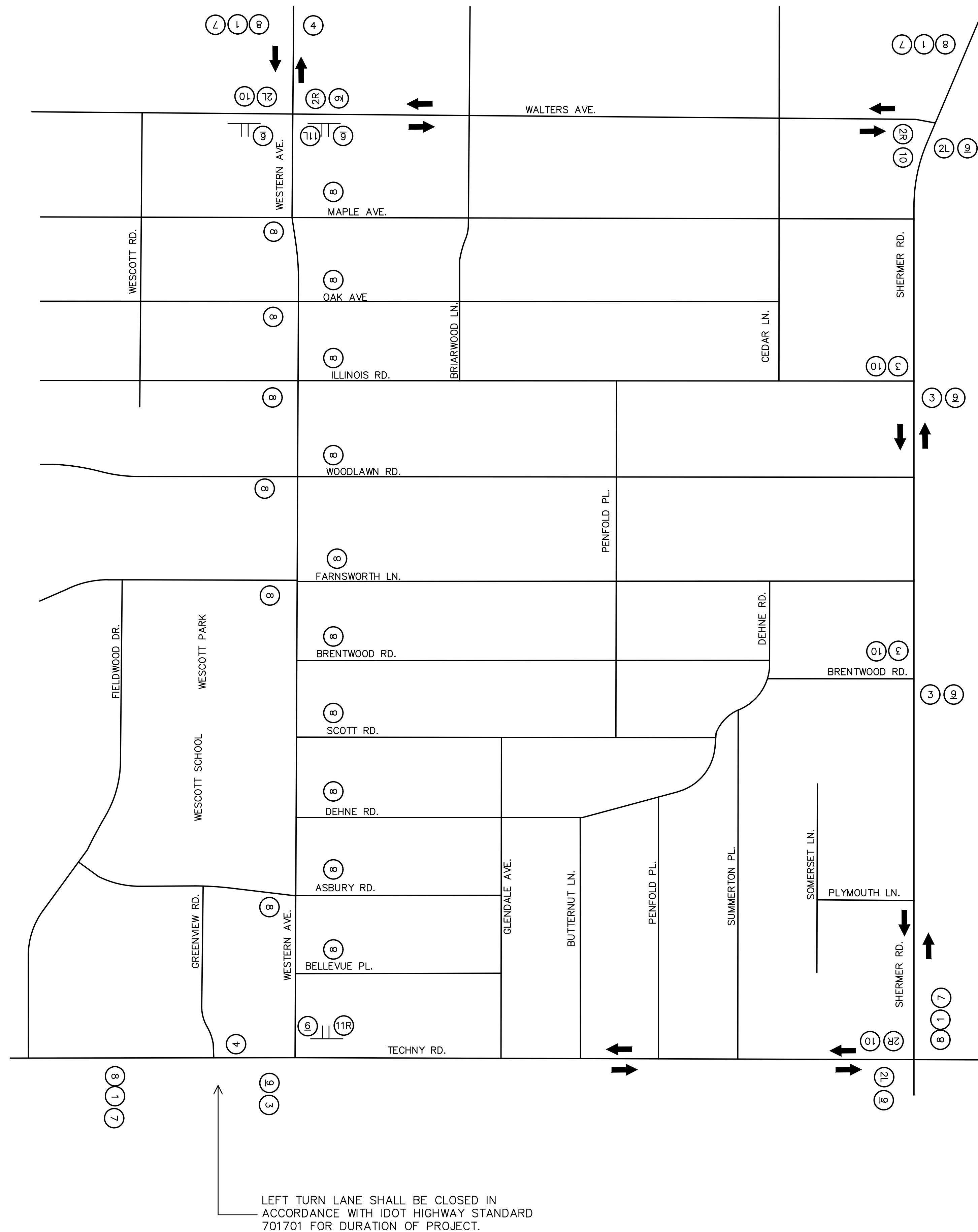
10 S. RIVERSIDE PLAZA, SUITE 875
 CHICAGO, ILLINOIS 60606
 PHONE (312) 474-7841
 FAX (312) 474-6099

2416 GALEN DRIVE
 CHAMPAIGN, ILLINOIS 61821
 PHONE (217) 351-6268
 FAX (217) 355-1902

WESTERN AVE. ROADWAY RECONSTRUCTION AND WATER MAIN IMPROVEMENT PROJECT VILLAGE OF NORTHBROOK, ILLINOIS

MAINTENANCE OF TRAFFIC STAGE 1

I:\Northbrook\161002-00_OakAveIllinois\Roadway\Recon\CAD\Western Ave\161002_Cover-Detail.dwg Updated by: ranner 3/15/2018



SIGN LEGEND

TYPE III BARRICADE WITH FLASHERS AS MANY AS DIRECTED BY ENGINEER

- 1. W20-2 (48"x 48") B/O
- 2. R/L B/O M4-9 30"x24"
- 3. B/O M4-9 30"x24"
- 4. B/W M4-8a 24"x18"
- 5. B/W 30"x24"
- 6. R11-2 (48"x 30") B/W
- 7. W20-3 (48"x 48") B/O
- 8. W20-1 (48"x 48") B/O AS DIRECTED BY ENGINEER
- 9. B/W 30"x12"
- 10. B/W 30"x12"
- 11. R/L B/O M4-10 48"x18"

MAINTENANCE OF TRAFFIC GENERAL NOTES

1. MULTIPLE SIGNS AT ANY ONE LOCATION SHALL BE MOUNTED ON A COMMON POST OR STRUCTURE WHEN POSSIBLE. SIGNS MAY BE MOUNTED ON STREET LIGHT STANDARDS WHERE AVAILABLE.
2. ALL DETOUR SIGNS SHALL BE MOUNTED A MINIMUM OF 7 FEET ABOVE THE EXISTING SURFACE.
3. B/O = BLACK LEGEND ON ORANGE BACKGROUND
B/W = BLACK LEGEND ON WHITE BACKGROUND
4. SIGN SPACING MAY BE ADJUSTED TO SUIT FIELD CONDITIONS.
5. L/R INDICATES LEFT OR RIGHT.
6. WHEN DIRECTED BY THE ENGINEER, THE CONTRACTOR SHALL CONSTRUCT TEMPORARY AGGREGATE CROSSINGS ACROSS UTILITY TRENCHES AND DRIVEWAY APRONS FOR ACCESS BY LOCAL RESIDENTS AND EMERGENCY VEHICLES. (TEMPORARY AGGREGATE)
7. ALL STREETS CROSSING THE CONSTRUCTION ZONE SHALL BE BARRICADED IN ACCORDANCE WITH STANDARD 2298.
8. SOUTH BOUND TRAFFIC SHALL BE OPEN AT ALL TIMES ALONG WESTERN AVE. DURING STAGE 1.
9. ALL ENTRANCES TO PROJECT NEED TYPE III BARRICADE W/ LOCAL TRAFFIC ONLY & ROAD CLOSED TO THROUGH TRAFFIC.
10. SIGNS NOT IN USE TO BE DROPPED OR BAGGED.
11. MAJOR DRIVEWAY ENTRANCES SHALL HAVE ONE WAY SIGNS INDICATING APPROPRIATE DIRECTION OF TRAFFIC ON STREET FOR EXITING VEHICLES.
12. SIGNAGE SHOWN IS A SUGGESTED MINIMUM. VILLAGE HAS THE RIGHT TO REQUEST ADDITIONAL SIGNAGE WITH NO ADDITIONAL COMPENSATION FOR CONTRACTOR.
13. VILLAGE WILL NOTIFY RESIDENTS BY MAIL PRIOR TO DETOUR.
14. ALL DETOUR SIGNS SHALL REMAIN IN PLACE UNTIL PAVEMENT SURFACE COURSE ON WESTERN AVE. HAS BEEN COMPLETED.
15. "ONE-WAY" AND "DO NOT ENTER" SIGNS SHALL BE PLACED AT INTERSECTIONS AND EACH DRIVEWAY.

CONSTRUCTION STAGING

THE FOLLOWING IS THE CONSTRUCTION STAGING FOR THIS PROJECT. THE PURPOSE OF THIS STAGING IS TO MINIMIZE DELAYS TO THE MOTORIST. THE CONTRACTOR MAY ALTER THE SEQUENCE OF CONSTRUCTION WITH THE PRIOR APPROVAL OF THE ENGINEER.

- STAGE 1 CONSTRUCTION ACTIVITIES: (STARTS 04/02/18)**
1. PLACE ALL CONSTRUCTION SIGNS AND BARRICADES.
 2. CONSTRUCT WATER MAIN AND STORM SEWER.
- STAGE 2 CONSTRUCTION ACTIVITIES: (06/11/18 TO 08/10/18)**
1. ROADWAY RECONSTRUCTION UP TO BINDER COURSE FROM FARNSWORTH LANE TO ASBURY ROAD.
- STAGE 3 CONSTRUCTION ACTIVITIES: (06/11/18 TO 09/28/18)**
1. ROADWAY RECONSTRUCTION UP TO BINDER COURSE FROM OAK AVENUE TO FARNSWORTH LANE AND FROM ASBURY ROAD TO TECHNYPARK RD.
- STAGE 4 CONSTRUCTION ACTIVITIES:**
1. PLACE ROADWAY SURFACE COURSE FROM OAK AVENUE TO TECHNYPARK RD. SURFACE COURSE WILL NEED TO BE PAVED ON A SATURDAY TO AVOID CONFLICTS WITH THE SCHOOL. IT MAY BE POSSIBLE TO PAVE ON A SCHOOL HOLIDAY; HOWEVER, SPECIFIC DATES CANNOT BE GUARANTEED AT THIS TIME.
 2. PLACE FINAL PAVEMENT MARKING AND INSTALL SIGNING.
 3. RESTORE PARKWAY.
 4. REMOVE TEMPORARY TRAFFIC CONTROL ITEMS.

MAINTENANCE OF TRAFFIC STAGE 2 NOTES:

- ROADWAY RECONSTRUCTION (UP TO BINDER)
1. FULL ROAD CLOSURE ALLOWED DURING WORK DAY.
 2. ONE-WAY SOUTHBOUND TRAFFIC ON WESTERN AVE. RESUMES AT END OF DAY.
 3. STAGE 2 MUST BE COMPLETED BY AUGUST 10, 2018

MAINTENANCE OF TRAFFIC STAGE 3 NOTES:

- ROADWAY RECONSTRUCTION (UP TO BINDER)
1. FULL ROAD CLOSURE ALLOWED DURING WORK DAY.
 2. ONE-WAY SOUTHBOUND TRAFFIC ON WESTERN AVE. RESUMES AT END OF DAY.

REVISIONS:					
DATE	BY	DESCRIPTION	DATE	BY	DESCRIPTION

DRAWN BY: RT
CHECKED BY: PK
APPROVED BY: BD



35701 WEST AVENUE, SUITE 150
WARRENVILLE, ILLINOIS 60555
PHONE (630) 393-3060
FAX (630) 393-2152

10 S. RIVERSIDE PLAZA, SUITE 875
CHICAGO, ILLINOIS 60606
PHONE (312) 474-7841
FAX (312) 474-6099

2416 GALEN DRIVE
CHAMPAIGN, ILLINOIS 61821
PHONE (217) 351-6268
FAX (217) 355-1902

WESTERN AVE. ROADWAY RECONSTRUCTION AND WATER MAIN IMPROVEMENT PROJECT
VILLAGE OF NORTHBROOK, ILLINOIS

TITLE: **MAINTENANCE OF TRAFFIC STAGE 2&3**

SCALE: N.T.S.
DATE: February, 2018
JOB NO: 161002
SHEET 33 of 64

I:\Northbrook\161002-00_OakAveIllinois\WesternAve\WmImps&RoadwayReconst\CADD\Western Ave\161002_Cover-Detail2.dwg Updated by: ranner 3/15/2018